

## 4 SEASONS 10W

Model: 4SEASONS10W

### GENERAL INFORMATION

<b>Housing</b>	Polycarbonate+ABS
<b>Solar Panel</b>	10W Monocrystalline
<b>Fan Blade</b>	9" 3 Wing Polycarbonate+ABS
<b>Motor</b>	Brushless DC 14V

### SOLAR PANEL

<b>Power</b>	10W
<b>Operating Voltage</b>	12V (14.4V Voc)
<b>Operating Current</b>	0.833A
<b>Cell Type</b>	Monocrystalline
<b>Lifetime</b>	25 Years

### MOTOR

<b>Type</b>	Brushless DC
<b>Rotor</b>	Inner Rotor
<b>Ballbearings</b>	NMB Japan
<b>Input Voltage</b>	14.4V
<b>Protection</b>	IP55

### HOUSING

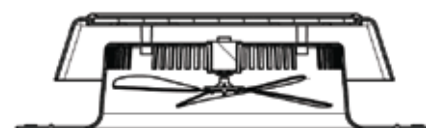
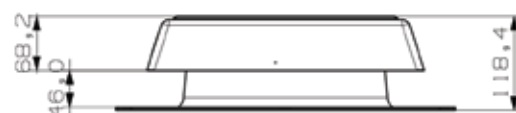
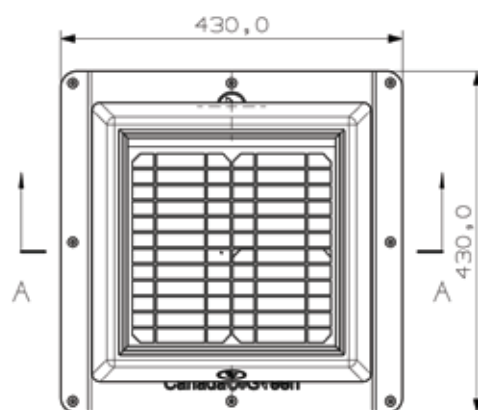
<b>Material</b>	PC+ABS (Makrolon® 2805)
<b>Additives</b>	UV Stabilizers / Anti Freeze

### VENTILATION

<b>CFM (operating fan)</b>	up to 400 CFM
<b>NFA (non operating fan)</b>	42 sq inch

### CERTIFICATIONS & TESTING

<b>Solar Panel</b>	CSA Class 5311-10 IEC 61215:2005, CE, RoHS
<b>Impact Resistance (Hail)</b>	Chapter 10.17 of IEC 61215
<b>Test Conditions (Hail)</b>	25mm diam, 23m/sec, 7.53grams
<b>Wind and Rain</b>	CSA A93 Resistance
<b>Motor</b>	FCC, CE, RoHS
<b>Warranty</b>	10 Years



### DIMENSIONS

<b>Width</b>	430 mm
<b>Length</b>	355 mm
<b>Height</b>	280 mm
<b>Duct Diameter</b>	250 mm
<b>Net Weight</b>	2 kg

